



RECKLI 2/100 YEAR

A functional formliner in the shape of the year.

DIMENSIONS

Uses	Dimensions (in)	Order Number
100	▲ 10.04 ^{fix} × ► 17.52 ^{fix}	C 2100
10	-	

flex

Formliners labeled as Flex specify the maximal dimensions that they are available in. Any dimension below this value can be chosen freely.

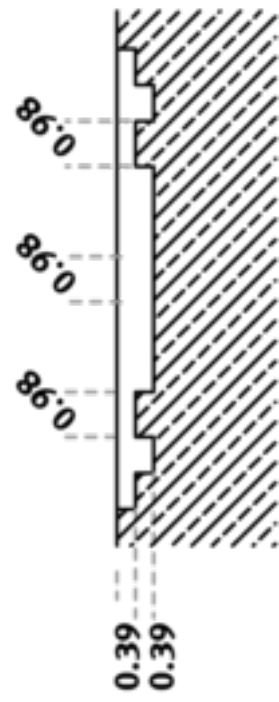
fix

The formliners labeled as Fix can only be delivered in the specified dimension.

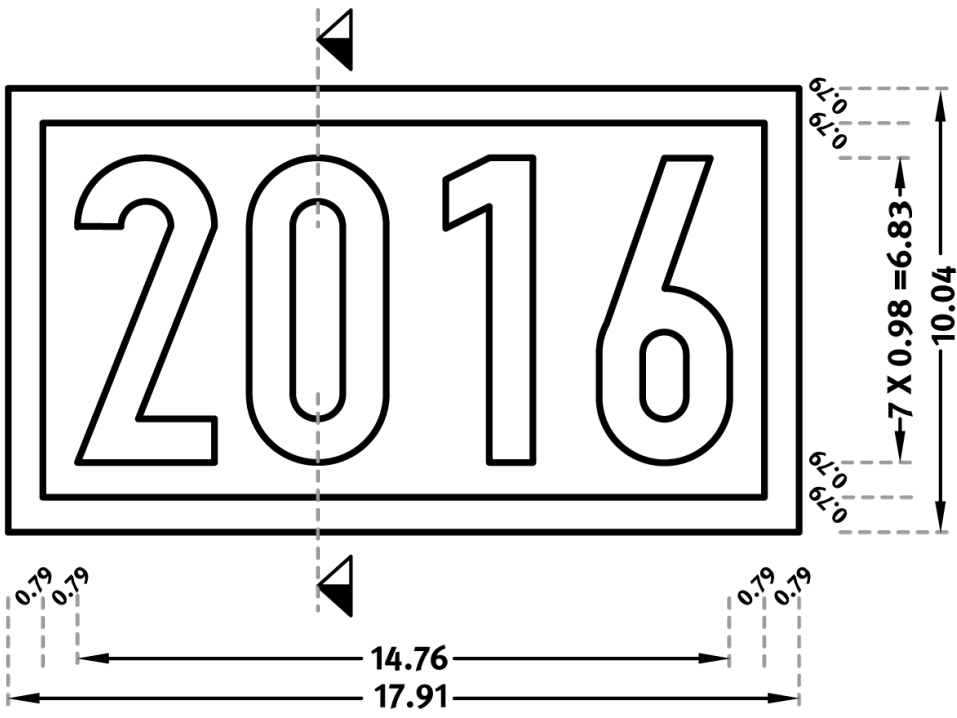
uses

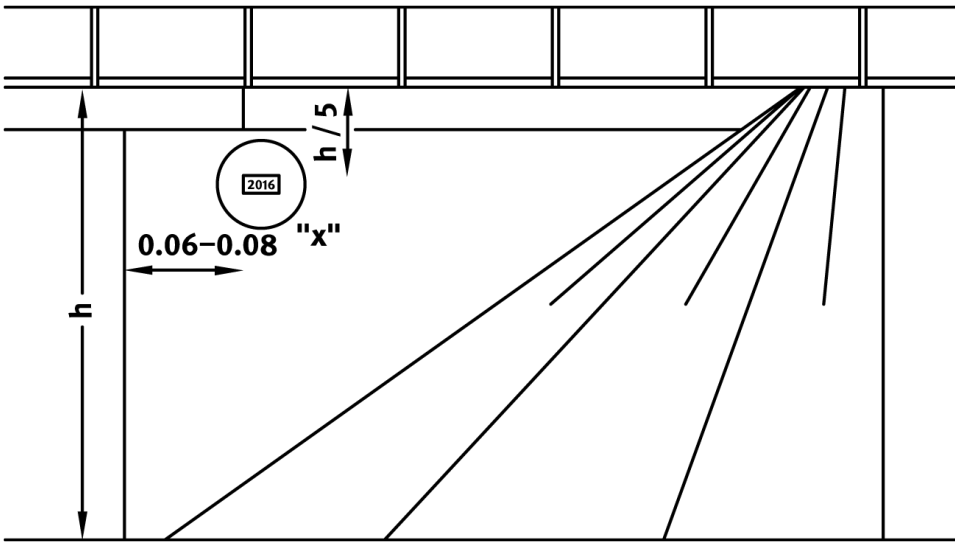
We guarantee 100 uses for molds of series C, 50 uses of series A, 10 uses of series E.

Schnitt A - A



Einzelheit "X"





US FORMLINER HEADQUARTERS

Do you have a question about our products
and would like to get in touch? You can call us
on the following number:

706.549.6787

US Formliner Inc.

370 Commerce Blvd.

Athens GA 30606

USA

Phone: 706.549.6787

www.reckli.com/en/usa/